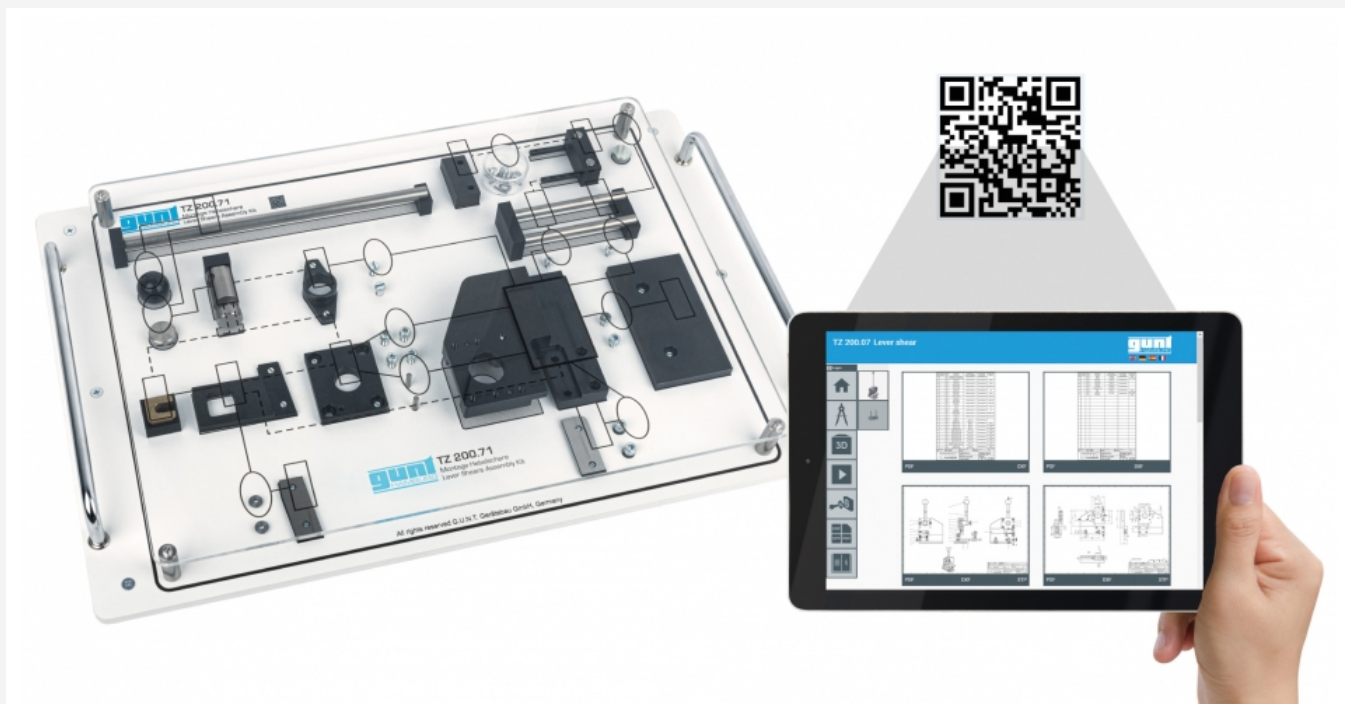


TZ 200.71

Assembly of lever shears



The illustration shows the device and the GUNT Media Center on a tablet (not included).

Description

- **GUNT course: engineering drawing**
- **multimedia instructional materials online in GUNT Media Center: 3D PDF, DXF files, STEP files, video**

A drawing is the most important means of information and communication in engineering. The ability to read and understand drawings, graphics and schematics is a fundamental element in the development of professional competence in all engineering disciplines. Linking engineering communication to the associated technical operations such as assembly structure, work plans and manufacturing is just as important.

The TZ 200.71 assembly kit is an interdisciplinary and practical project. In addition to the primary learning area of “engineering drawing”, it is also possible to deal with the topic of assembly processes, in particular production engineering.

The assembly kit includes all single parts required to assemble functional lever shears. The parts are grouped on a base plate so that individual assembly sequences are clearly displayed.

Above the base plate is a transparent cover plate with a graphical representation of the assembly structure. The graphic symbolizes standard and production parts and displays fixed and moving connections differently.

The contemporary multimedia instructional materials are available online in the GUNT Media Center. The core element of the teaching materials is a complete set of drawings as files with list of parts, single-part drawings, exploded views, assembly drawings and 3D drawings. All drawings are to standard and are dimensioned in accordance with production requirements. The set of drawings consists of DXF files, STEP files and PDF files. The assembly video is also a useful feature.

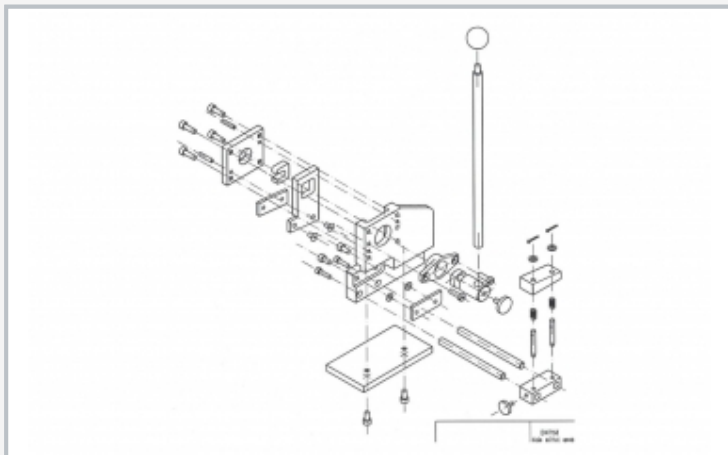
The manufactured parts are precision-manufactured from original materials and with common tolerances and surfaces. The surfaces of the manufactured parts are burnished to prevent corrosion. All parts are clearly laid out and well protected in a storage system. Multiple storage systems can be stacked on top of each other, allowing space-saving storage.

Learning objectives/experiments

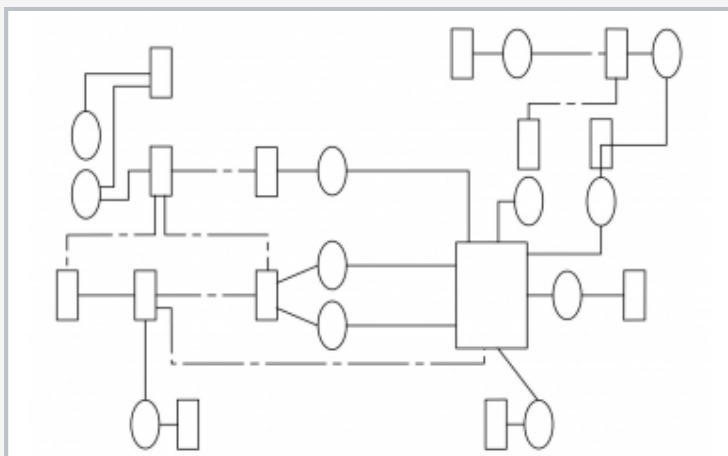
- introduction to engineering drawing
 - ▶ read and understand engineering drawings
 - ▶ three-dimensional display
 - ▶ sectional views
 - ▶ drawing types
 - ▶ 3D representation
 - ▶ lists of parts
 - ▶ dimensioning
 - ▶ surface and tolerance specifications
 - ▶ difference between standard and production parts
 - ▶ materials specifications
- planning and execution of simple assembly operations
 - ▶ plan and describe operations
 - ▶ evaluate results
- measuring exercises
 - ▶ longitudinal measurements
 - ▶ angular measurements
- manufacturing processes
 - ▶ working examples of handmade production and production on machine tools

TZ 200.71

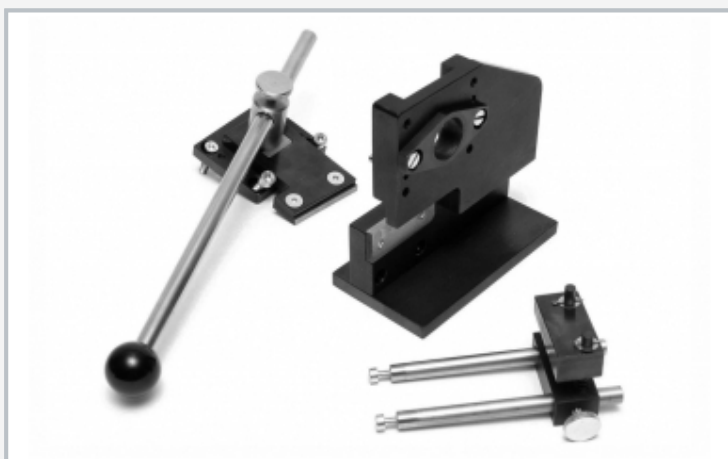
Assembly of lever shears



Exploded drawing of lever shears



Graphical representation of the assembly structure



Functional groups of the lever shears: shear body, base, stop

Specification

- [1] part of the GUNT course on engineering drawing
- [2] assembly kit of functional lever shears
- [3] all production parts of the lever shears made from precision-manufactured burnished steel surfaces
- [4] assembly structure on transparent cover plate
- [5] storage system for parts
- [6] multiple storage systems can be stacked on top of each other
- [7] instructional material incorporates action-oriented and interdisciplinary forms of teaching
- [8] multimedia instructional materials: PDF, CAD files, STEP files, videos
- [9] online access to the GUNT Media Center

Technical data

LxWxH: 540x350x70mm (storage system)

Weight: approx. 7kg

Scope of delivery

- 1 Weight: approx. with the individual parts of the lever shears
- 1 cover plate with assembly structure
- 1 set of tools for assembly and disassembly
- 1 set of small parts
- 1 set of instructional material